



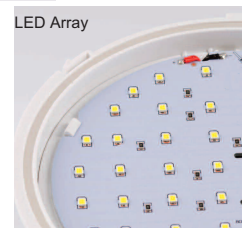
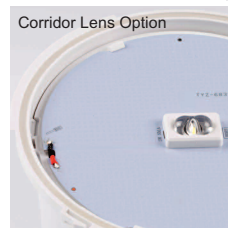
BC11

LED EMERGENCY IP65 DOWNLIGHT

DESCRIPTION

The BLE BC11 LED Emergency IP65 Downlight is a LED downlight with a contemporary design, which can be surface mounted or recessed. The BC11 is IP65 protection rated, with a 3-Hour emergency duration and non-maintained operation. The fitting features polycarbonate housing and an opal diffuser. The BC11 is tested to BSEN 60598-2-22.

Options include a corridor lens version and a clear lens version.



FEATURES

- High Light Output
- Contemporary Design
- Surface Mounted or Recessed Mounted
- Charge Healthy LED Indicator

OPTIONS

- 230V Mains Version
- Prismatic Diffuser Version
- Corridor Lens / Clear Lens Versions
- Black Base Version
- Microwave Sensor
- Self Test
- Check for Alternative Colour Temperature

SPECIFICATIONS

- LED Array
- IP65 Protection Rating
- 3 Hour Emergency Duration
- Non-Maintained Operation
- Polycarbonate Housing
- Opal Diffuser
- Tested to BS EN 60598-2-22

APPLICATIONS

- Internal Emergency Lighting
- External Emergency Lighting
- Offices
- Commercial
- Retail

Further specification and pricing details contact 01246 432325 or visit www.blelighting.co.uk

TECHNICAL SPECIFICATION: BC11 LED EMERGENCY IP65 DOWNLIGHT

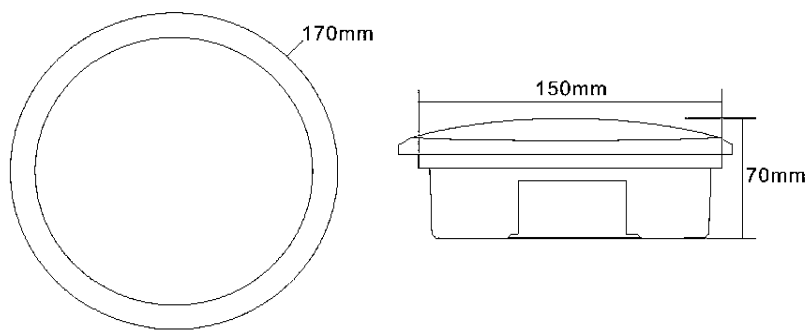
Product Codes: BC11/LED/NM3/W

DIMENSIONS

Ø 170mm

Depth: Ø 70mm

Cut Out: Ø 150mm



Product Specification

Product Name	B11 LED Emergency Downlight
Product Code	BC11/LED/NM3/W
Input Voltage	230V AC + 10%
Input Frequency	50/60Hz
Power Consumption	2.1W
IP Rating	IP65
Installation Hole Cut Out Diameter	150mm
Light Source	LED Array 54 Pieces
Lumens Output (Battery)	143lm
Colour Temperature	6000K - 7000K
Operating Temperature	0°C - 40°C
Emergency Duration	3 Hours
Self Test	Optional
Battery Type	Lithium 3.7V 2600mAh
Charge Time	24 Hours
Discharge Time	>3 Hrs
Recharge Time	24 Hours
Weight	547g

PRODUCT REFERENCE	Mounting Height [m]	Transverse to Wall	Transverse Spacing	Axial to Wall	Axial Spacing
		[m] 1 Lux	[m] 1 Lux	[m] 1 Lux	[m] 1 Lux
BC11/LED/NM3/W	2.00	1.80	5.30	1.80	5.30
	2.50	1.75	5.44	1.75	5.44
	3.00	1.40	5.22	1.40	5.22



BLE Lighting & Power Limited, Church Street, Eckington, S21 4BH
 Tel: 01246 432325 Fax: 01246 432324 Email: sales@blelighting.co.uk

www.blelighting.co.uk